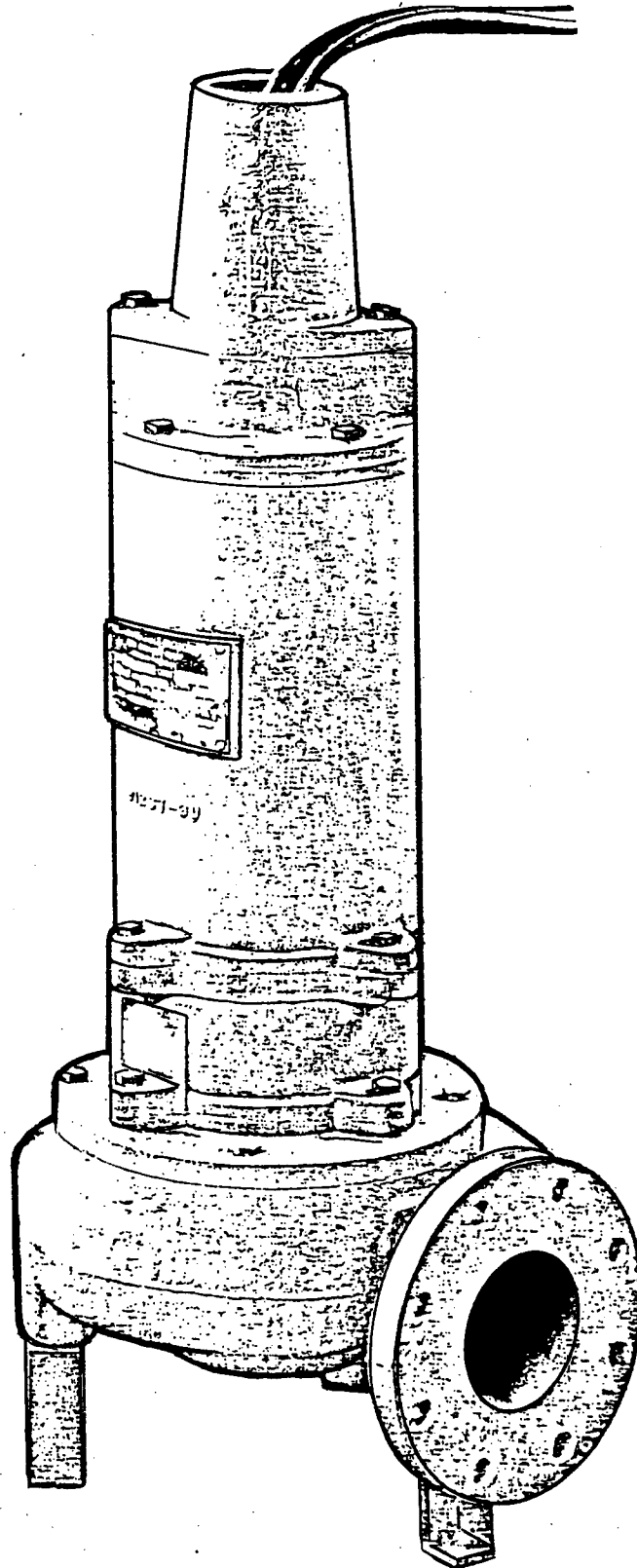


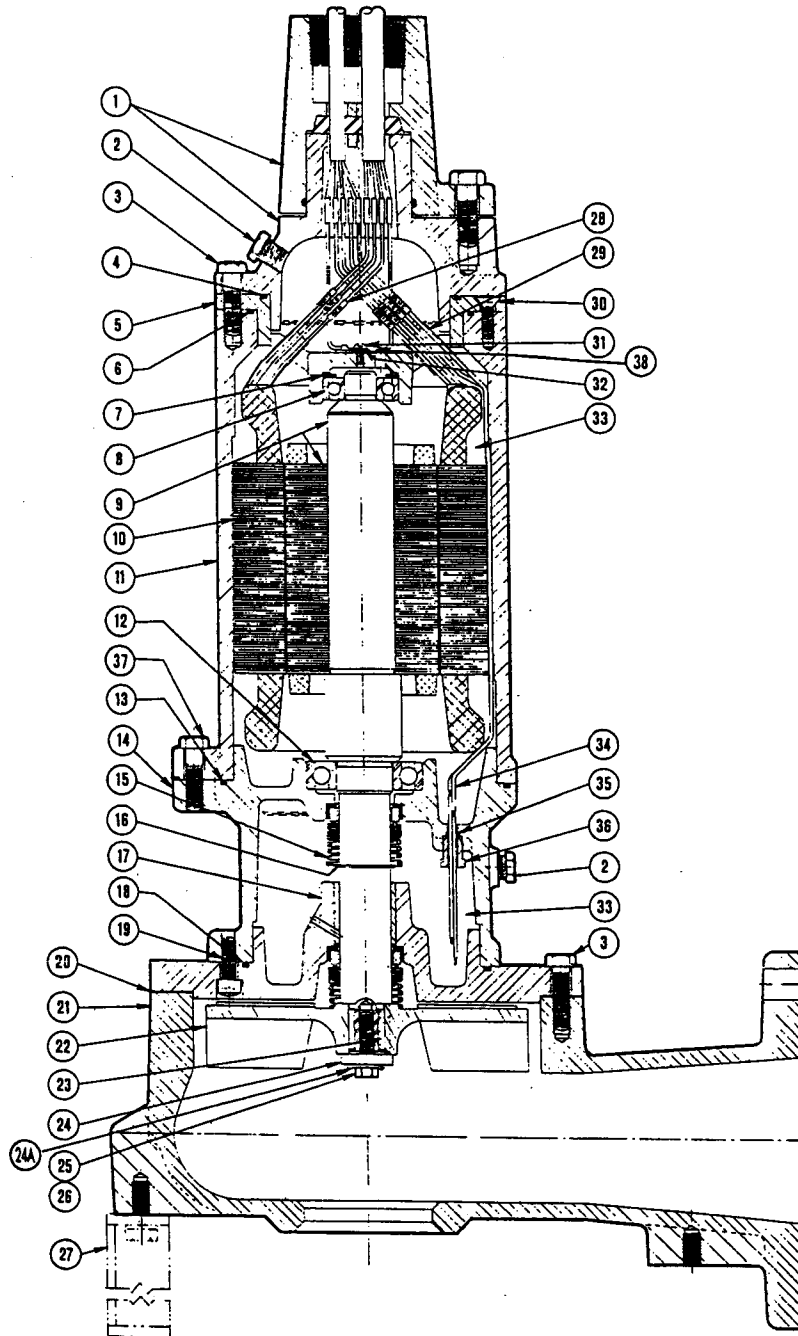
**4R, 4V, 4VH, 4VC, 6VH & 6VC
Series Submersible Non-Clog
Pumps Parts List**



4R Series Submersible Non-Clog Pumps Parts List

Myers®

4 POLE (1750 RPM), 3 TO 10 HP - 3 PHASE, 3 TO 5 HP - 230V - 1 PHASE
3 PHASE IN ALL VOLTAGES 200, 230, 460 & 575



4R Series Submersible Non-Clog Pumps Parts List

Myers®

4 POLE (1750 RPM), 3 TO 10 HP - 3 PHASE, & 3 TO 5 HP - 230V - 1 PHASE
3 PHASE IN ALL VOLTAGES 200, 230, 460 & 575

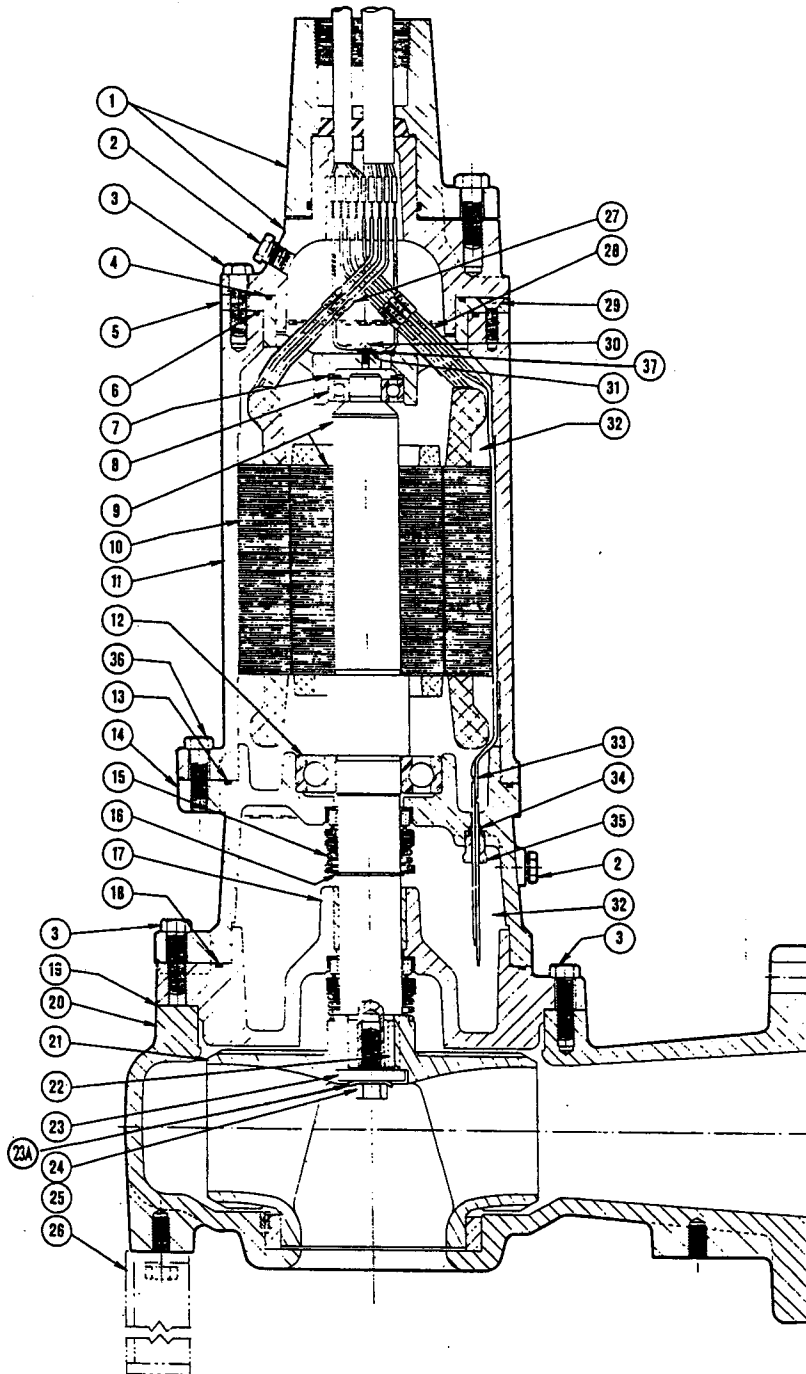
Ref. No.	Description	No. Req.	Part Number
1	Cord Cap Complete - 25' Wires	1	225698010
1A	Cord Cap - Wire Lengths as Specified	1	225698900
2	Pipe Plug, 1/4" NPT, Hex Hd.	2	05022A054
3	Cap Screw, Hex Hd., 7/16"-14 x 1 1/2"	8	19102A006
4	"O" Ring, 4 7/8" x 4 5/8" x 1/8"	1	05876A123
5	Cap, Upper Bearing	1	225908000
6	"O" Ring, 5 1/2" x 5 1/4" x 1/8"	1	05876A112
7	Washer, Finger Spring	2	19331A006
8	Bearing, Ball	1	08565A022
9	Rotor with Shaft Shaft Only (For All HP Sizes)	1 1	See Chart 22848C100
10	Stator	1	See Chart*
11	Housing, Motor	1	22571D000*
12	Bearing Ball	1	08565A023
13	"O" Ring, 7" x 6 3/4" x 1/8"	1	05876A114
14	Housing, Seal	1	22576D000
15	Seal, 1-1/4" Shaft	2	22577A000
16	Ring, Retaining	1	12558A008
17	Housing, Lower Seal, with Bearing	1	22853C000
18	"O" Ring, 6" x 5 3/4" x 1/8"	1	05876A113
19	Cap Screw, Socket Hd., 3/8"-16 x 1"	4	06106A028
20	Gasket, Vellumoid	1	05231A079
21	Case, Volute	1	22854D000
22	Impeller (Specify O.D.)	1	22855C502
23	Key, 1/4" Square x 1 1/16" Lg.	1	05818A074
24	Washer, Impeller Retainer with Pin	1	23609A001
24A	Washer, Bearing Lock	1	08001A007
25	Cap Screw, Hex Hd., 3/8"-16 x 1 1/4"	1	19101A010
26	Sealant, Loctite Grade 680	2	14550A009
27	Accessory - Support Legs 625	1	23768A020
28	Connector	3	12672A003
29	Tube, Plastic, 1 1/4" Lg. or Tube, Plastic, 3" Lg.	2 2	10649A102 10649A116
30	Mach. Screw, Socket Flat Hd., 5/16"-18 x 1"	2	07597A017
31	Mach. Screw, #10-24 x 3/8" Lg.	1	05434A043
32	Lockwasher, #10	1	06107A015
33	Oil Transformer (5 Gal. Can)	1.6 Gal.	11009A006K
34	Electrode, Wire	2	22578A000
35	Ferrule, Rubber	1	22579A000
36	Plug, Special	1	21577A000
37	Cap Screw, Hex Hd., 7/16"-14 x 2 1/4"	4	19102A023
38	Washer, 7/16" x 1 3/64" x 1/32"	1	05030A126

Pump Cat. No.	Rotor w/Shaft	Stator Only	Stator w/Housing
4R30M4-21	22846C100	24407C200	22571D270K
4R30M4-03	22846C100	24407C201	22571D275K
4R30M4-23	22846C100	24407C202	22571D280K
4R30M4-43	22846C100	24407C202	22571D280K
4R30M4-53	22846C100	24407C203	22571D290K
4R50M4-21	22846C100	24407C204	22571D440K
4R50M4-03	22846C100	24407C205	22571D295K
4R50M4-23	22846C100	24407C206	22571D300K
4R50M4-43	22846C100	24407C206	22571D300K
4R50M4-53	22846C100	24407C207	22571D310K
4R75M4-03	22846C100	24407C208	22571D405K
4R75M4-23	22846C100	24407C209	22571D410K
4R75M4-43	22846C100	24407C209	22571D410K
4R75M4-53	22846C100	24407C210	22571D415K
4R100M4-03	22846C100	24407C208	22571D405K
4R100M4-23	22846C100	24407C209	22571D410K
4R100M4-43	22846C100	24407C209	22571D410K
4R100M4-53	22846C100	24407C210	22571D415K

4V Series Submersible Non-Clog Pumps Parts List

Myers®

4 POLE (1750 RPM), 3 TO 10 HP - 3 PHASE, & 3 TO 5 HP - 230V - 1 PHASE
 6 POLE (1150 RPM), 1 TO 3 HP - 3 PHASE, & 1 TO 3 HP - 230V - 1 PHASE
 3 PHASE IN ALL VOLTAGES 200, 230, 460 & 575



4V Series Submersible Non-Clog Pumps Parts List

Myers®

4 POLE (1750 RPM), 3 TO 10 HP - 3 PHASE, & 3 TO 5 HP - 230V - 1 PHASE
6 POLE (1150 RPM), 1 TO 3 HP - 3 PHASE, & 1 TO 3 HP - 230V - 1 PHASE
3 PHASE IN ALL VOLTAGES 200, 230, 460 & 575

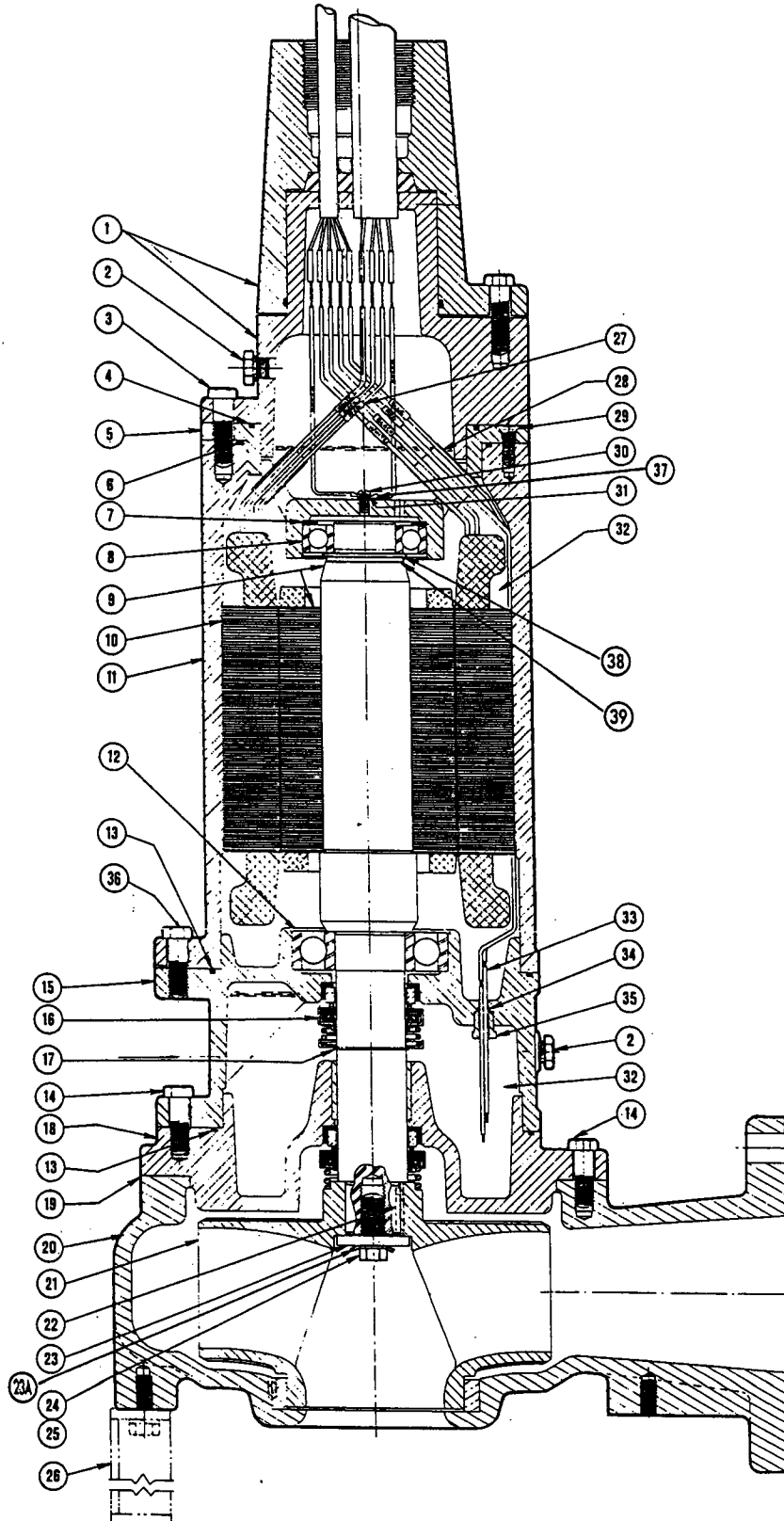
Ref. No.	Description	No. Req.	Part Number
1	Cord Cap Complete - 25' Wires	1	22569B010
1A	Cord Cap - Wire Lengths as Specified	1	22569B900
2	Pipe Plug, 1/4" NPT, Hex Hd.	2	05022A054
3	Cap Screw, Hex Hd., 7/16"-14 x 1 1/2"	12	19102A006
4	"O" Ring, 4 7/8" x 4 3/8" x 1/8"	1	05876A123
5	Cap, Upper Bearing	1	22590B000
6	"O" Ring, 5 1/2" x 5 1/4" x 1/8"	1	05876A112
7	Washer, Finger Spring	2	19331A006
8	Bearing Ball	1	08565A022
9	Rotor with Shaft Shaft Only (For All HP Sizes)	1 1	See Chart 22881C101
10	Stator	1	See Chart*
11	Housing, Motor	1	22571D000
12	Bearing, Ball	1	08565A027
13	"O" Ring, 7" x 6 3/4" x 1/8"	1	05876A114
14	Housing, Seal	1	22709D000
15	Seal, 1 1/2" Shaft	2	22922A000
16	Ring, Retaining	1	12558A018
17	Housing, Lower Seal, with Bearing	1	22710C000
18	"O" Ring, 7 1/2" x 7 1/4" x 1/8"	1	05876A127
19	Gasket, Vellumoid	1	05231A079
20	Case, Voilute	1	22712D000
21	Impeller (Specify O.D.)	1	22711C500
22	Key, 1/4" Square x 1 3/16" Lg.	1	05818A066
23	Washer, Impeller Retainer with Pin	1	23609A002
23A	Washer, Bearing Lock	1	08001A008
24	Cap Screw, Hex Hd., 1/2"-13 x 1 1/4"	1	19103A052
25	Sealant, Loctite Grade 680	2	14550A009
26	Accessory - Support Legs 625	1	23768A020
27	Connector	3	12672A003
28	Tube, Plastic, 1 1/4" Lg. or Tube, Plastic, 3" Lg.	2 2	10649A102 10649A116
29	Mach. Screw, Socket Flat Hd., 5/16"-18 x 1"	2	07597A017
30	Mach. Screw, #10-24 x 3/8" Lg.	1	05434A043
31	Lockwasher, #10	1	06107A015
32	Oil Transformer (5 Gal. Can)	1.6 Gal.	11009A006K
33	Electrode, Wire	2	22578A002
34	Ferrule, Rubber	1	22579A000
35	Plug, Special	1	21577A000
36	Cap Screw, Hex Hd., 7/16"-14 x 2 1/4"	4	19102A023
37	Washer, 7/16" x 1 3/64" x 1/32"	1	05030A126

Pump Cat. No.	Rotor w/Shaft	Stator Only	Stator w/Housing
4V10M6-21	22875C108	24407C223	22571D315K
4V10M6-03	22875C107	24407C224	22571D320K
4V10M6-23	22875C107	24407C225	22571D325K
4V10M6-43	22875C107	24407C225	22571D325K
4V10M6-53	22875C107	24407C226	22571D335K
4V15M6-21	22875C109	24407C227	22571D340K
4V15M6-03	22875C110	24407C228	22571D345K
4V15M6-23	22875C110	24407C229	22571D350K
4V15M6-43	22875C110	24407C229	22571D350K
4V15M6-53	22875C110	24407C230	22571D360K
4V20M6-21	22875C109	24407C231	22571D385K
4V20M6-03	22875C110	24407C232	22571D365K
4V20M6-23	22875C110	24407C233	22571D370K
4V20M6-43	22875C110	24407C233	22571D370K
4V20M6-53	22875C110	24407C234	22571D380K
4V30M6-21	22875C109	24407C231	22571D385K
4V30M6-03	22875C110	24407C232	22571D365K
4V30M6-23	22875C110	24407C233	22571D370K
4V30M6-43	22875C110	24407C233	22571D370K
4V30M6-53	22875C110	24407C234	22571D380K
4V30M4-21	22875C105	24407C200	22571D270K
4V30M4-03	22875C105	24407C201	22571D275K
4V30M4-23	22875C105	24407C202	22571D280K
4V30M4-43	22875C105	24407C202	22571D280K
4V30M4-53	22875C105	24407C203	22571D290K
4V50M4-21	22875C105	24407C204	22571D440K
4V50M4-03	22875C105	24407C205	22571D295K
4V50M4-23	22875C105	24407C206	22571D300K
4V50M4-43	22875C105	24407C206	22571D300K
4V50M4-53	22875C105	24407C207	22571D310K
4V75M4-03	22875C105	24407C208	22571D405K
4V75M4-23	22875C105	24407C209	22571D410K
4V75M4-43	22875C105	24407C209	22571D410K
4V75M4-53	22875C105	24407C210	22571D415K
4V100M4-03	22875C105	24407C208	22571D405K
4V100M4-23	22875C105	24407C209	22571D410K
4V100M4-43	22875C105	24407C209	22571D410K
4V100M4-53	22875C105	24407C210	22571D415K

4VH & 6VH Series Submersible Non-Clog Pumps Parts List

Myers®

4 POLE (1750 RPM), 5 TO 20 HP - 3 PHASE ONLY
 6 POLE (1150 RPM), 3 & 5 HP - 3 PHASE ONLY
 3 PHASE IN ALL VOLTAGES 200, 230, 460 & 575



4VH & 6VH Series Submersible Non-Clog Pumps Parts List

Myers®

4 POLE (1750 RPM), 5 TO 20 HP - 3 PHASE ONLY
6 POLE (1150 RPM), 3 & 5 HP - 3 PHASE ONLY
3 PHASE IN ALL VOLTAGES 200, 230, 460 & 575

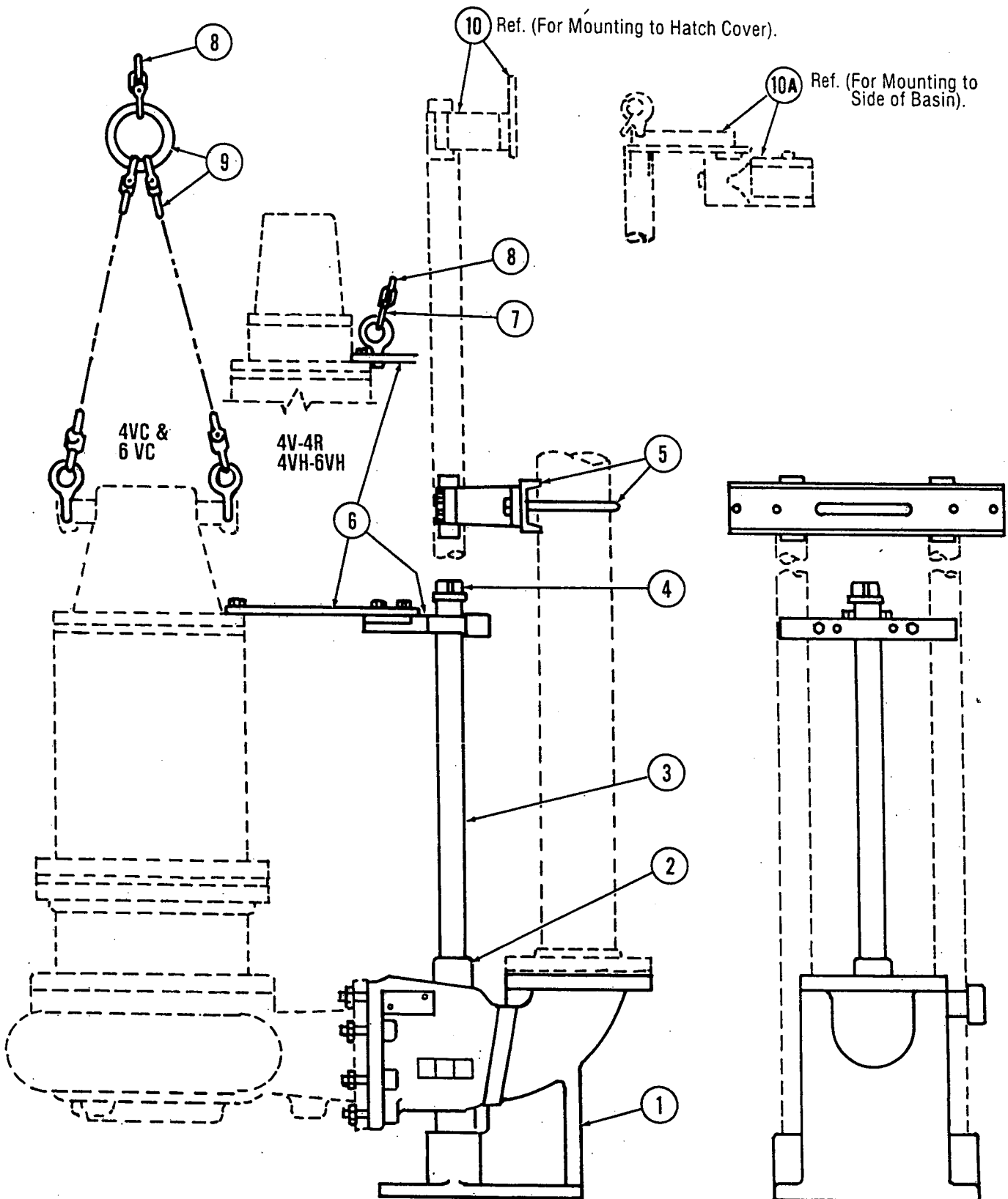
Ref. No.	Description	No. Req.	Part Number
1	Cord Cap, #6 Power Cord 25' Wires or Cord Cap, #6, Lengths as Specified	See Cht.	22872C010 22872C900
1	Cord Cap, #10 Power Cord, 25' Wires or Cord Cap, #10, Lengths as Specified	See Cht.	22872C011 22872C901
1	Cord Cap, #4 Power Cord 25' Wires or Cord Cap, #4, Lengths as Specified	See Cht.	22872C012 22872C902
2	Pipe Plug, 1/4" NPT, Hex Hd.	2	05022A054
3	Cap Screw, Hex Hd., 1/2"-13 x 1 3/4"	4	19103A045
4	"O" Ring, 5/16" x 5 5/8" x 1/8"	1	05876A119
5	Cap, Upper Bearing	1	22873C000
6	"O" Ring, 6 1/2" x 6 1/4" x 1/8"	1	05876A120
7	Washer, Wave Spring	2	19331A007
8	Bearing, Ball	1	08565A025
9	Rotor with Shaft Shaft Only (For All HP Sizes)	1 1	See Chart 22881D100
10	Stator	1	See Chart*
11	Housing, Motor	1	22874D000
12	Bearing, Ball	1	08565A026
13	"O" Ring, 8 1/4" x 8" x 1/8"	2	05876A121
14	Cap Screw, Hex Hd., 1/2"-13 x 1 1/2"	8	19103A043
15	Housing, Seal	1	22882D000
16	Seal, 1 3/4" Shaft	2	22883A000
17	Ring, Retaining	1	12558A017
18	Housing, Lower Seal, with Bearing	1	22884D000
19	Gasket, Vellumoid	1	05231A080
20	Case, Volute, 4" Flange (For 4VH Only)	1	22886D000
20	Case, Volute, 6" Flange (For 6VH Only)	1	23035E000
21	Impeller (Specify O.D.) 4VH & 6VH	1	22885D500
21	Impeller, 9" O.D., 4VHS & 6VHS Only	1	23498D000
22	Key, 5/16" Square x 2 5/32" Lg.	1	05818A067
23	Washer, Impeller Retainer with Pin	1	23609A003
23A	Washer, Bearing Lock	1	08001A006
24	Cap Screw, Hex Hd., 3/8"-11 x 1 1/4"	1	19105A033
25	Sealant, Loctite Grade 680	2	14550A009
26	Accessory - Support Leg 625	1	23768A020
27	Connector	3	23394A001
28	Tube, Plastic, 1 1/4" Lg. or Tube, Plastic, 3" Lg.	2 2	10649A102 10649A116
29	Mach. Screw, Socket Flat Hd., 3/16"-18 x 1"	2	07597A017
30	Mach. Screw, 1/4"-20 x 1/2" Lg.	1	05028A002
31	Lockwasher, 1/4"	1	06107A016
32	Oil Transformer (5 Gal. Can)	1.8 Gal.	11009A006K
33	Electrode, Wire	2	22578A001
34	Ferrule, Rubber	1	22579A000
35	Plug, Special	1	21577A000
36	Cap Screw, Hex Hd., 1/2"-13 x 2 1/2"	4	19103A048
37	Washer, 7/16" x 9/32" x 1/16" Thick	1	05030A091
38	Washer, Support	1	05030A214
39	Ring, Retaining	1	12558A024

Pump Cat. No.	Rotor w/Shaft	Stator Only	Cord Cap w/25' Wires	*Motor Hsg. w/Stator
4VH30M6-03 6VH30M6-03	22875C100	22877D216	22872C011	22874D300K
4VH30M6-23 6VH30M6-23	22875C100	22877D217	22872C011	22874D305K
4VH30M6-43 6VH30M6-43	22875C100	22877D217	22872C011	22874D305K
4VH30M6-53 6VH30M6-53	22875C100	22877D219	22872C011	22874D315K
4VH50M6-03 6VH50M6-03	22875C101	22877D220	22872C011	22874D320K
4VH50M6-23 6VH50M6-23	22875C101	22877D221	22872C011	22874D325K
4VH50M6-43 6VH50M6-43	22875C101	22877D221	22872C011	22874D325K
4VH50M6-53 6VH50M6-53	22875C101	22877D223	22872C011	22874D335K
4VH50M4-03 6VH50M4-03	22875C102	22877D200	22872C010	22874D220K
4VH50M4-23 6VH50M4-23	22875C102	22877D201	22872C010	22874D225K
4VH50M4-43 6VH50M4-43	22875C102	22877D201	22872C011	22874D225K
4VH50M4-53 6VH50M4-53	22875C102	22877D203	22872C011	22874D235K
4VH75M4-03 6VH75M4-03	22875C103	22877D204	22872C010	22874D240K
4VH75M4-23 6VH75M4-23	22875C103	22877D205	22872C010	22874D245K
4VH75M4-43 6VH75M4-43	22875C103	22877D205	22872C011	22874D245K
4VH75M4-53 6VH75M4-53	22875C103	22877D207	22872C011	22874D255K
4VH100M4-03 6VH100M4-03	22875C104	22877D208	22872C010	22874D260K
4VH100M4-23 6VH100M4-23	22875C104	22877D209	22872C010	22874D265K
4VH100M4-43 6VH100M4-43	22875C104	22877D209	22872C011	22874D265K
4VH100M4-53 6VH100M4-53	22875C104	22877D211	22872C011	22874D275K
4VH150M4-03 6VH150M4-03	22875C104	22877D212	22872C012	22874D280K
4VH150M4-23 6VH150M4-23	22875C104	22877D213	22872C012	22874D285K
4VH150M4-43 6VH150M4-43	22875C104	22877D213	22872C011	22874D285K
4VH150M4-53 6VH150M4-53	22875C104	22877D215	22872C011	22874D295K
4VH200M4-03 6VH200M4-03	22875C104	22877D212	22872C012	22874D280K
4VH200M4-23 6VH200M4-23	22875C104	22877D213	22872C012	22874D285K
4VH200M4-43 6VH200M4-43	22875C104	22877D213	22872C011	22874D285K
4VH200M4-53 6VH200M4-53	22875C104	22877D215	22872C011	22874D295K
4VHS75M4-21	22875C112	22877D124	22872C010	22874D250K
4VHS75M4-03	22875C103	22877D204	22872C010	22874D240K
4VHS75M4-23	22875C103	22877D205	22872C010	22874D245K
4VHS75M4-43	22875C103	22877D205	22872C011	22874D245K
4VHS75M4-53	22875C103	22877D207	22872C011	22874D255K
4VHS100M4-03 6VHS100M4-03	22875C104	22877D208	22872C010	22874D260K
4VHS100M4-23 6VHS100M4-23	22875C104	22877D209	22872C010	22874D265K
4VHS100M4-43 6VHS100M4-43	22875C104	22877D209	22872C011	22874D265K
4VHS100M4-53 6VHS100M4-53	22875C104	22877D211	22872C011	22874D275K

4" & 6" Lift-Out Rail Assemblies Repair Parts List



4V, 4R, 4VH, 6VH, 4VC & 6VC



4" Lift-Out Rail Assemblies Repair Parts List



Ref. No.	Description	No. Req.	4" LIFT-OUT RAIL ASSEMBLIES												
			Standard Assemblies with Cast Iron						Assemblies with Brass Sliding Parts						
			SRA-400VR-1	SRA-40VR-1	SRA-400VH-1	SRA-40VH-1	SRA-400VC	SRA-40VC	SRAX-400VR-1	SRAX-40VR-1	SRAX-400VH-1	SRAX-40VH-1	SRAX-400VC	SRAX-40VC	
1	Elbow, Disch., w/Set Screws	1	23047D010	23047D010	23047D010	23047D010	23047D010	23047D010	23047D010	23047D010	23047D010	23047D010	23047D010	23047D010	23047D010
2	Check Valve Assembly	1	23046D010	—	23046D010	—	23046D010	—	23046D011	—	23046D011	—	23046D011	—	23046D011
2	Body, Discharge	1	—	23443D010	—	23443D010	—	23443D010	—	23443D011	—	23443D011	—	23443D011	—
3	Pipe, T.B.E.	1	05917A141	05917A141	05917A141	05917A141	05917A142	05917A142	05917A141	05917A141	05917A141	05917A141	05917A141	05917A142	05917A142
4	Cap, Pipe	1	05737A015	05737A015	05737A015	05737A015	05737A015	05737A015	05737A015	05737A015	05737A015	05737A015	05737A015	05737A015	05737A015
5	Guide, Intermediate, Ass'y.	1	23790C000	23790C000	23790C000	23790C000	23790C000	23790C000	23790C000	23790C000	23790C000	23790C000	23790C000	23790C000	23790C000
	Includes:														
	Channel	1	23789C000	23789C000	23789C000	23789C000	23789C000	23789C000	23789C000	23789C000	23789C000	23789C000	23789C000	23789C000	23789C000
	Bracket	2	23791B000	23791B000	23791B000	23791B000	23791B000	23791B000	23791B000	23791B000	23791B000	23791B000	23791B000	23791B000	23791B000
	Support, Pipe	2	23792B000	23792B000	23792B000	23792B000	23792B000	23792B000	23792B000	23792B000	23792B000	23792B000	23792B000	23792B000	23792B000
	Bolt, U	1	16731A011	16731A011	16731A011	16731A011	16731A011	16731A011	16731A011	16731A011	16731A011	16731A011	16731A011	16731A011	16731A011
	Spacer	2	23793A000	23793A000	23793A000	23793A000	23793A000	23793A000	23793A000	23793A000	23793A000	23793A000	23793A000	23793A000	23793A000
6	Bracket & Clamp Ass'y.	1	23044C010	23044C011	23044C012	23044C013	23044C014	23044C015	23044C020	23044C021	23044C022	23044C023	23044C024	23044C025	23044C025
	Includes:														
	Plate, Pump Attaching	1	23043B000	23043B002	23043B001	23043B003	23043B008	23043B007	23043B000	23043B002	23043B001	23043B003	23043B008	23043B007	23043B007
	Bracket, Top Guide	1	23044C000	23044C000	23044C000	23044C000	23044C000	23044C000	23044C001	23044C001	23044C001	23044C001	23044C001	23044C001	23044C001
	Clamp	1	23045C000	23045C000	23045C000	23045C000	23045C000	23045C000	23045C001	23045C001	23045C001	23045C001	23045C001	23045C001	23045C001
	Bolt, Eye	1	21929A003	21929A003	21929A003	21929A003	—	—	21929A003	21929A003	21929A003	21929A003	—	—	—
7	Clevis	2	22417A002	22417A002	22417A002	22417A002	—	—	22417A002	22417A002	22417A002	22417A002	—	—	—
8	Chain Ass'y., 20 Ft.	1	23531A002	23531A002	23531A002	23531A002	23531A002	23531A002	23531A002	23531A002	23531A002	23531A002	23531A002	23531A002	23531A002
9	Chain w/Clevis & Eye Bolts	1	—	—	—	—	23828C000	23828C000	—	—	—	—	—	23828C000	23828C000
	Includes:														
	Ring	1	—	—	—	—	23532A001	23532A001	—	—	—	—	—	23532A001	23532A001
	Chain, 16-5/8" Lg.	1	—	—	—	—	07741A034	07741A034	—	—	—	—	—	07741A034	07741A034
	Chain, 18-1/4" Lg.	1	—	—	—	—	07741A035	07741A035	—	—	—	—	—	07741A035	07741A035
	Bolt, Eye	2	—	—	—	—	21929A005	21929A005	—	—	—	—	—	21929A005	21929A005
	Clevis	2	—	—	—	—	22417A004	22417A004	—	—	—	—	—	22417A004	22417A004
		3	—	—	—	—	22417A002	22417A002	—	—	—	—	—	22417A002	22417A002
10	Support, Top Pipe, Ass'y.-Ref.	1	TRS-150 23830D010	TRS-150 23830D010	TRS-150 23830D010	TRS-150 23830D010	TRS-150 23830D010	TRS-150 23830D010	TRS-150 23830D010	TRS-150 23830D010	TRS-150 23830D010	TRS-150 23830D010	TRS-150 23830D010	TRS-150 23830D010	TRS-150 23830D010
	Includes:														
	Plate, Mounting	1	23830C000	23830C000	23830C000	23830C000	23830C000	23830C000	23830C000	23830C000	23830C000	23830C000	23830C000	23830C000	23830C000
	Bracket	2	23791B000	23791B000	23791B000	23791B000	23791B000	23791B000	23791B000	23791B000	23791B000	23791B000	23791B000	23791B000	23791B000
	Hook	1	23788A000	23788A000	23788A000	23788A000	23788A000	23788A000	23788A000	23788A000	23788A000	23788A000	23788A000	23788A000	23788A000
	Support Pipe	2	23792B000	23792B000	23792B000	23792B000	23792B000	23792B000	23792B000	23792B000	23792B000	23792B000	23792B000	23792B000	23792B000
10A	Guide, Upper Rail, Ass'y.-Ref.	1	SMRS-150 23032D010	SMRS-150 23032D010	SMRS-150 23032D010	SMRS-150 23032D010	SMRS-150 23032D010	SMRS-150 23032D010	SMRS-150 23032D010	SMRS-150 23032D010	SMRS-150 23032D010	SMRS-150 23032D010	SMRS-150 23032D010	SMRS-150 23032D010	SMRS-150 23032D010
	Includes:														
	Guide, Upper Rail	1	23032D000	23032D000	23032D000	23032D000	23032D000	23032D000	23032D000	23032D000	23032D000	23032D000	23032D000	23032D000	23032D000
	Support, Rail Guide	1	22611B000	22611B000	22611B000	22611B000	22611B000	22611B000	22611B000	22611B000	22611B000	22611B000	22611B000	22611B000	22611B000
	Clevis	1	22417A001	22417A001	22417A001	22417A001	22417A001	22417A001	22417A001	22417A001	22417A001	22417A001	22417A001	22417A001	22417A001
	Bolt, Eye	1	21929A002	21929A002	21929A002	21929A002	21929A002	21929A002	21929A002	21929A002	21929A002	21929A002	21929A002	21929A002	21929A002

NOTE: All hardware items are stainless steel.

6" Lift-Out Rail Assemblies Repair Parts List

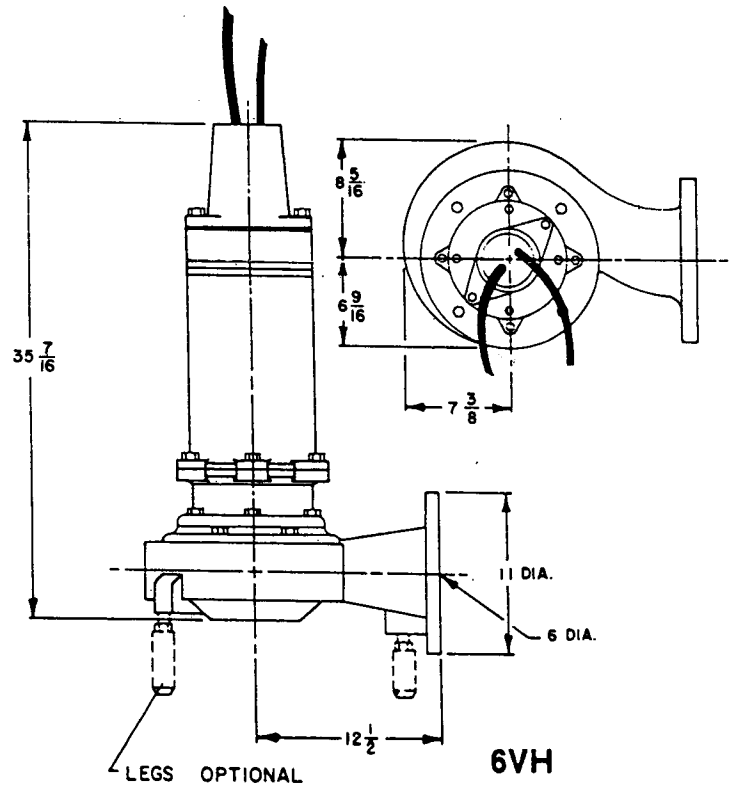
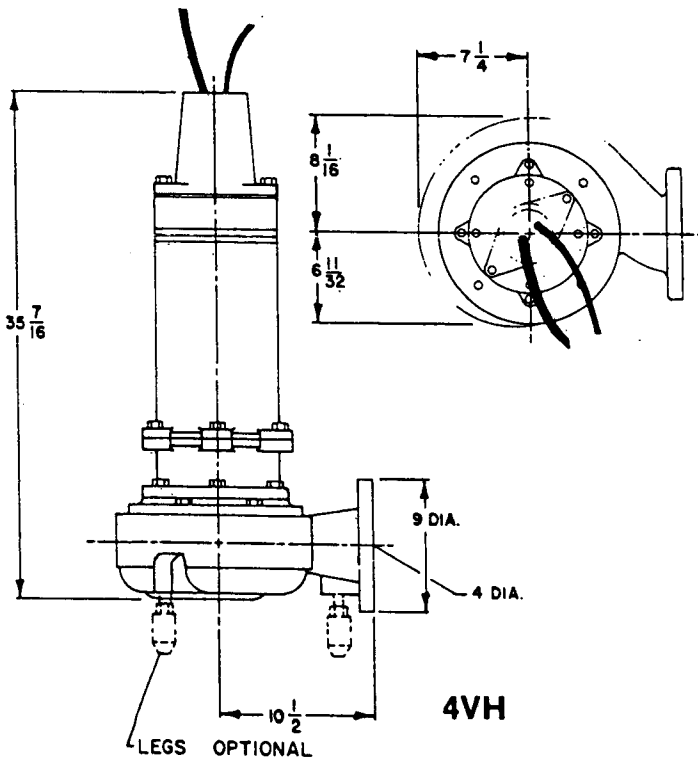
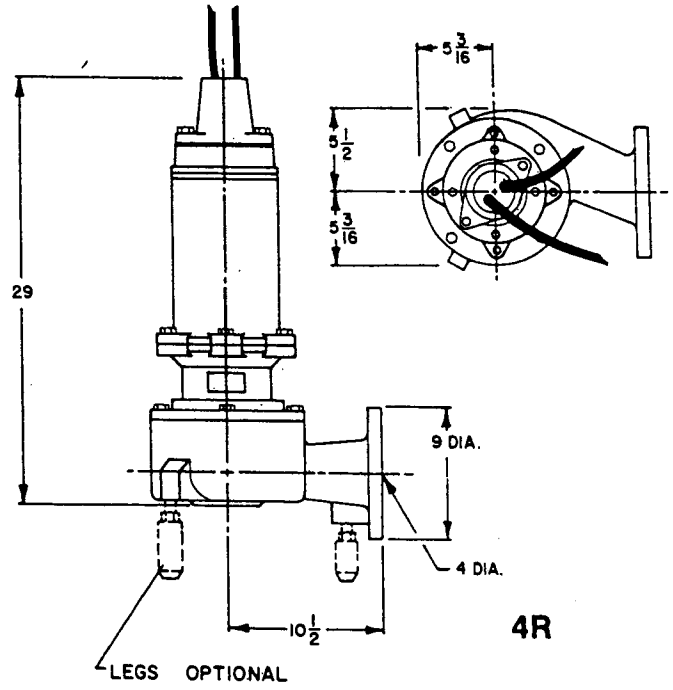
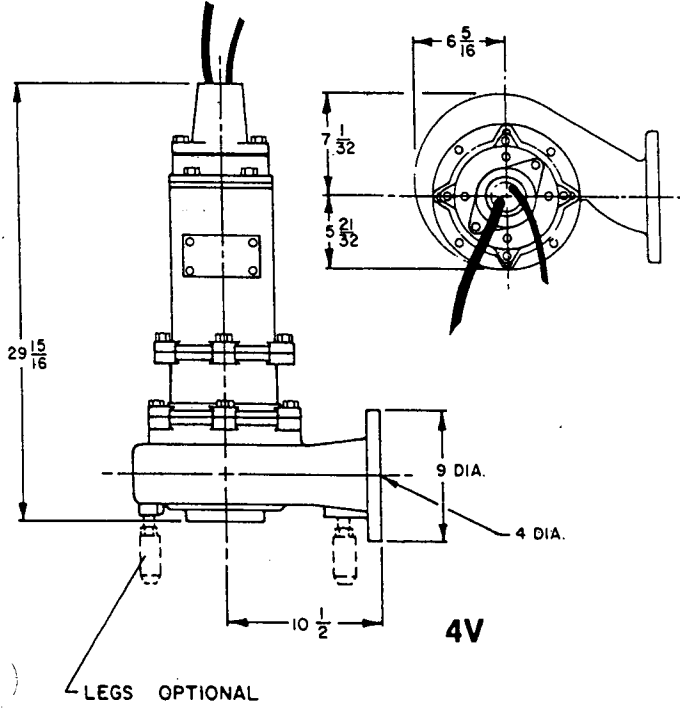
Myers®

Ref. No.	Description	No. Req.	6" LIFT-OUT RAIL ASSEMBLIES							
			Standard Assemblies with Cast Iron				Assemblies with Brass Sliding Parts			
			SRA-600VH-1	SRA-60VH-1	SRA-600VC	SRA-60VC	SRAX-600VH-1	SRAX-60VH-1	SRAX-600VC	SRAX-60VC
1	Elbow, Disch., w/Set Screws	1	23486D010	23486D010	23486D010	23486D010	23486D010	23486D010	23486D010	23486D010
2	Check Valve Assembly	1	23479D010	—	23479D010	—	23479D011	—	23479D011	—
2	Body, Discharge	1	—	23487D010	—	23487D010	—	23487D011	—	23487D011
3	Pipe, T.B.E.	1	05347A106	05347A106	05347A106	05347A106	05347A106	05347A106	05347A106	05347A106
4	Cap, Pipe	1	05737A017	05737A017	05737A017	05737A017	05737A017	05737A017	05737A017	05737A017
5	Guide, Intermediate, Ass'y.	1	23827D010	23827D010	23827D010	23827D010	23827D010	23827D010	23827D010	23827D010
	Includes:									
	Channel	1	23827D000	23827D000	23827D000	23827D000	23827D000	23827D000	23827D000	23827D000
	Bracket	2	23791B000	23791B000	23791B000	23791B000	23791B000	23791B000	23791B000	23791B000
	Support, Pipe	2	23792B001	23792B001	23792B001	23792B001	23792B001	23792B001	23792B001	23792B001
	Bolt, U	1	16731A012	16731A012	16731A012	16731A012	16731A012	16731A012	16731A012	16731A012
	Spacer	2	23793A000	23793A000	23793A000	23793A000	23793A000	23793A000	23793A000	23793A000
6	Bracket & Clamp Ass'y.	1	23477C012	23477C013	23477C014	23477C020	23477C022	23477C023	23477C024	23477C025
	Includes:									
	Plate, Pump Attaching	1	23043B005	23043B004	23043B009	23043B006	23043B005	23043B004	23043B009	23043B006
	Bracket, Top Guide	1	23477C000	23477C000	23477C000	23477C000	23477C001	23477C001	23477C001	23477C001
	Clamp	1	23478C000	23478C000	23478C000	23478C000	23478C001	23478C001	23478C001	23478C001
	Bolt, Eye	1	21929A003	21929A003	—	—	21929A003	21929A003	—	—
7	Clevis	1	22417A002	22417A002	—	—	22417A002	22417A002	—	—
8	Chain-Ass'y., 20 Ft.	1	23531A002	23531A002	23531A002	23531A002	23531A002	23531A002	23531A002	23531A002
9	Chain w/Clevis & Eye Bolts	1	—	—	23828C000	23828C000	—	—	23828C000	23828C000
	Includes:									
	Ring	1	—	—	23532A001	23532A001	—	—	23532A001	23532A001
	Chain, 16-5/8" Lg.	1	—	—	07741A034	07741A034	—	—	07741A034	07741A034
	Chain, 18-1/4" Lg.	1	—	—	07741A035	07741A035	—	—	07741A035	07741A035
	Bolt, Eye	2	—	—	21929A005	21929A005	—	—	21929A005	21929A005
	Clevis	2	—	—	22417A003	22417A003	—	—	22417A003	22417A003
		3	—	—	22417A002	22417A002	—	—	22417A002	22417A002
10	Support, Top Pipe, Ass'y.-Ref.	1	TRS-200 23829D010	TRS-200 23829D010	TRS-200 23829D010	TRS-200 23829D010	TRS-200 23829D010	TRS-200 23829D010	TRS-200 23829D010	TRS-200 23829D010
	Includes:									
	Plate, Mounting	1	23829D000	23829D000	23829D000	23829D000	23829D000	23829D000	23829D000	23829D000
	Bracket	2	23791B000	23791B000	23791B000	23791B000	23791B000	23791B000	23791B000	23791B000
	Hook	1	23788A000	23788A000	23788A000	23788A000	23788A000	23788A000	23788A000	23788A000
	Support Pipe	2	23792B001	23792B001	23792B001	23792B001	23792B001	23792B001	23792B001	23792B001
10A	Guide, Upper Rail, Ass'y.-Ref.	1	SMRS-200 23476D010	SMRS-200 23476D010	SMRS-200 23476D010	SMRS-200 23476D010	SMRS-200 23476D010	SMRS-200 23476D010	SMRS-200 23476D010	SMRS-200 23476D010
	Includes:									
	Guide, Upper Rail	1	23476D000	23476D000	23476D000	23476D000	23476D000	23476D000	23476D000	23476D000
	Support, Rail Guide	1	22611B000	22611B000	22611B000	22611B000	22611B000	22611B000	22611B000	22611B000
	Clevis	1	22417A001	22417A001	22417A001	22417A001	22417A001	22417A001	22417A001	22417A001
	Bolt, Eye	1	21929A002	21929A002	21929A002	21929A002	21929A002	21929A002	21929A002	21929A002

NOTE: All hardware items are stainless steel.

Pump Dimensions

PUMP DIMENSIONS



4VC & 6VC Series Sewage Pumps Parts List

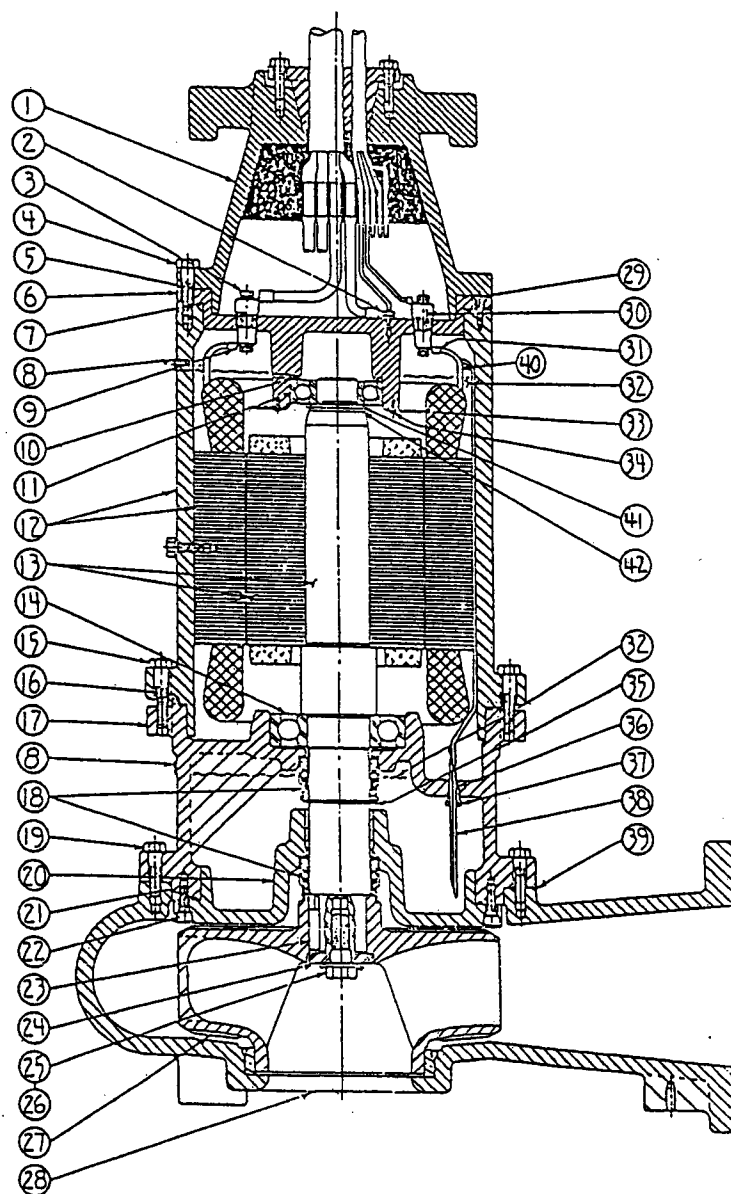
Myers®

4 POLE (1750 RPM), 15 TO 60 HP - 3 PHASE ONLY

6 POLE (1150 RPM), 5 TO 20 HP - 3 PHASE ONLY

8 POLE (870 RPM), 2 TO 7½ HP - 3 PHASE ONLY

Ref. No.	Description	No. Req.	Part Number
1	Cord Cap Complete, #14 Power Cord 25' Cord Length As Specified Includes Cord Clamp 23550B & Grommet 23551A (See Chart)	1 1	23549D000 23549D900
1	Cord Cap Complete, #10 Power Cord 25' Cord Length As Specified Includes Cord Clamp 23550B & Grommet 23551A (See Chart)	1 1	23549D001 23549D901
1	Cord Cap Complete, #8 Power Cord 25' Cord Length As Specified Includes Cord Clamp 23550B & Grommet 23551A (See Chart)	1 1	23549D002 23549D902
1	Cord Cap Complete, #6 Power Cord 25' Cord Length As Specified Includes Cord Clamp 23550B & Grommet 23551A (See Chart)	1 1	23549D003 23549D903
1	Cord Cap Complete, #4 Power Cord 25' Cord Length As Specified Includes Cord Clamp 23550B & Grommet 23551A (See Chart)	1 1	23549D004 23549D904
1	Cord Cap Complete, #2 Power Cord 25' Cord Length As Specified Includes Cord Clamp 23550B & Grommet 23551A (See Chart)	1 1	23549D005 23549D905
	Jump Wires with Terminals (5 req'd on 230V & 3 req'd on 460V only)	As Noted	9859A793
2	Cap Screw, Hx Hd., ¼"-20 x ½"	1	19099A3
3	Lock Nut, ¼"-20 (14 req'd on 200V & 575V, 26 req'd on 230V & 460V)	As Noted	11904A5 19103A47
4	Cap Screw, Hex Hd., ½"-13 x 2"	8	19103A45
5	"O" Ring 10" x 9¼" x ¼"	1	5876A135
6	Housing, Upper Bearing (For 200V & 575V)	1	23557D
6	Housing, Upper Bearing (For 230V & 460V)	1	23557D1
7	"O" Ring, 10¼" x 10" x ¼"	1	5876A136
8	Pipe Plug, ¼" NPT, CTRSK. Hd.	2	5022A56
9	Terminal, Ring Tongue, ¼ Stud. 16-14 Wire (3 req'd on 200V & 575V, 9 req'd on 230V & 460V)	As Noted	See Chart
10	Washer, Wave Spring	2	19331A8
11	Bearing, Ball, Upper	1	8565A27
12	Housing with Stator (Also includes 1 Name Plate 22857A, 4 Drive Screws 5160A4 & 1 Pipe Plug 5022A56)	1	See Chart
13	Rotor with Shaft	1	See Chart
14	Bearing, Ball, Lower	1	8565A28
15	Cap Screw, Hex Hd., ½"-13 x 2¼"	8	19103A49
16	"O" Ring, 11¼" x 11½" x ¼"	1	5876A137
17	Housing, Upper Seal	1	23604D
18	Seal, 2¼" Shaft	2	23605A
19	Cap Screw, Hex Hd., ½"-13 x 1¾"	8	19103A45
20	Housing, Lower Seal	1	23610D
21	"O" Ring, 10¾" x 10½" x ¼"	1	5876A138
22	Cap Screw, Socket Hd., ⅝"-16 x 1"	8	6106A28
23	Key, ⅝" Square x 1½" Lg.	1	5818A71
24	Washer, Impeller Retainer with Pin	1	23609A004
25 A	Cap Screw, Hex Hd., ¾"-10 x 1¾" Lg.	1	19106A017
26	Sealant, Loctite Grade 680	2	14550A009
27	Impeller, Pump, Specify O.D.	1	23608D500*



Parts List and Chart
Continued on Back Side

*If pump was manufactured after August 1, 1997 order impeller 23608D510.

4VC & 6VC Series Sewage Pumps Parts List

Myers®

4 POLE (1750 RPM), 15 TO 60 HP - 3 PHASE ONLY
6 POLE (1150 RPM), 5 TO 20 HP - 3 PHASE ONLY
8 POLE (870 RPM), 2 TO 7 1/2 HP - 3 PHASE ONLY

Ref. No.	Description	No. Req.	Part Number
28	Case, Volute, 4" Flange (For All 4VC Only - Includes Wear Ring 23607B & 2 Set Screws 5013A15)	1	23606F10
28	Case, Volute, 6" Flange (For All 6VC Only - Includes Wear Ring 23607B & 2 Set Screws 5013A15)	1	23606F
29 30	Machine Screw, Flat Skt. Hd., 5/16"-18 x 1" Terminal, Electrical (7 req'd. on 200V & 575V, 13 req'd. on 230V & 460V) Accessory - Support Leg-750	2 As Noted 1	7597A17 23555A 23768A22
31 32	Terminal, Ring Tongue, 1/4 Stud, 22-16 Wire Oil, Transformer (5 Gal. Can 11009A6K)	4 3.75 Gal.	12074A36 As Noted
33	Guard, Wire	1	23600A
34	Drive Screw, .138 x 5/16" (Includes 4 for Wire Guard)	10	5160A4
35	Ring, Retaining	1	12558A20
36	Ferrule, Rubber	1	22579A
37	Plug, Special	1	21577A
38	Electrode, Wire	2	22578A5
39	Gasket, Vellumoid	1	5863A21
—	Name Plate, Motor (Not Stamped)	1	22857A
—	Name Plate, Pump (Not Stamped)	1	22856A
—	Emblem, Oil Fill (At Bottom of Oil Fill Plugs)	2	23395A
40	Tie, Cable	10	17190A4
41	Washer, Support	1	05030A214
42	Ring, Retaining	1	12558A024

Pump Cat. No.	RPM	13 Rotor * w/Shaft	9 Terminal	1 Cord Cap Complete	12 Housing w/Stator
4VC20M8-03 6VC20M8-03	870	23601D100	12074A038	23549D000	23558E140K
4VC20M8-23 6VC20M8-23	870	23601D100	12074A038	23549D000	23558E141K
4VC20M8-43 6VC20M8-43	870	23601D100	12074A038	23549D000	23558E141K
4VC20M8-53 6VC20M8-53	870	23601D100	12074A038	23549D000	23558E142K
4VC30M8-03 6VC30M8-03	870	23601D100	12074A038	23549D000	23558E140K
4VC30M8-23 6VC30M8-23	870	23601D100	12074A038	23549D000	23558E141K
4VC30M8-43 6VC30M8-43	870	23601D100	12074A038	23549D000	23558E141K
4VC30M8-53 6VC30M8-53	870	23601D100	12074A038	23549D000	23558E142K
4VC50M8-03 6VC50M8-03	870	23601D100	12074A037	23549D001	23558E143K
4VC50M8-23 6VC50M8-23	870	23601D100	12074A038	23549D001	23558E144K
4VC50M8-43 6VC50M8-43	870	23601D100	12074A038	23549D000	23558E144K
4VC50M8-53 6VC50M8-53	870	23601D100	12074A038	23549D000	23558E145K
4VC75M8-03 6VC75M8-03	870	23601D102	12074A037	23549D001	23558E171K
4VC75M8-23 6VC75M8-23	870	23601D102	12074A038	23549D001	23558E172K
4VC75M8-43 6VC75M8-43	870	23601D102	12074A038	23549D000	23558E172K
4VC75M8-53 6VC75M8-53	870	23601D102	12074A038	23549D000	23558E173K
4VC50M6-03 6VC50M6-03	1150	23601D103	12074A037	23549D001	23558E174K
4VC50M6-23 6VC50M6-23	1150	23601D103	12074A038	23549D001	23558E175K
4VC50M6-43 6VC50M6-43	1150	23601D103	12074A038	23549D000	23558E175K
4VC50M6-53 6VC50M6-53	1150	23601D103	12074A038	23549D000	23558E176K
4VC75M6-03 6VC75M6-03	1150	23601D103	12074A037	23549D001	23558E146K
4VC75M6-23 6VC75M6-23	1150	23601D103	12074A038	23549D001	23558E147K
4VC75M6-43 6VC75M6-43	1150	23601D103	12074A038	23549D000	23558E147K
4VC75M6-53 6VC75M6-53	1150	23601D103	12074A038	23549D000	23558E148K
4VC100M6-03 6VC100M6-03	1150	23601D105	12074A037	23549D002	23558E149K
4VC100M6-23 6VC100M6-23	1150	23601D105	12074A038	23549D001	23558E150K
4VC100M6-43 6VC100M6-43	1150	23601D105	12074A038	23549D000	23558E150K
4VC100M6-53 6VC100M6-53	1150	23601D105	12074A038	23549D000	23558E151K
4VC150M6-03 6VC150M6-03	1150	23601D106	12074A028	23549D003	23558E152K
4VC150M6-23 6VC150M6-23	1150	23601D106	12074A037	23549D003	23558E153K
4VC150M6-43 6VC150M6-43	1150	23601D106	12074A037	23549D001	23558E153K
4VC150M6-53 6VC150M6-53	1150	23601D106	12074A037	23549D001	23558E154K
4VC200M6-03 6VC200M6-03	1150	23601D106	12074A028	23549D003	23558E152K
4VC200M6-23 6VC200M6-23	1150	23601D106	12074A037	23549D003	23558E153K
4VC200M6-43 6VC200M6-43	1150	23601D106	12074A037	23549D001	23558E153K
4VC200M6-53 6VC200M6-53	1150	23601D106	12074A037	23549D001	23558E154K
4VC150M4-03 6VC150M4-03	1750	23601D107	12074A028	23549D003	23558E155K
4VC150M4-23 6VC150M4-23	1750	23601D107	12074A037	23549D003	23558E156K
4VC150M4-43 6VC150M4-43	1750	23601D107	12074A037	23549D001	23558E156K
4VC150M4-53 6VC150M4-53	1750	23601D107	12074A037	23549D001	23558E157K
4VC200M4-23 6VC200M4-23	1750	23601D107	12074A037	23549D003	23558E158K
4VC200M4-43 6VC200M4-43	1750	23601D107	12074A037	23549D001	23558E158K
4VC200M4-53 6VC200M4-53	1750	23601D107	12074A037	23549D001	23558E159K
4VC250M4-23 6VC250M4-23	1750	23601D109	12074A037	23549D004	23558E160K
4VC250M4-43 6VC250M4-43	1750	23601D109	12074A037	23549D002	23558E160K
4VC250M4-53 6VC250M4-53	1750	23601D109	12074A037	23549D001	23558E161K
4VC300M4-23 6VC300M4-23	1750	23601D110	12074A037	23549D005	23558E162K
4VC300M4-43 6VC300M4-43	1750	23601D110	12074A037	23549D002	23558E162K
4VC300M4-53 6VC300M4-53	1750	23601D110	12074A028	23549D002	23558E163K
4VC400M4-23 6VC400M4-23	1750	23601D110	12074A028	23549D005	23558E164K
4VC400M4-43 6VC400M4-43	1750	23601D110	12074A028	23549D003	23558E164K
4VC400M4-53 6VC400M4-53	1750	23601D110	12074A028	23549D003	23558E165K
4VC500M4-23 6VC500M4-23	1750	23601D110	12074A028	23549D005	23558E166K
4VC500M4-43 6VC500M4-43	1750	23601D110	12074A028	23549D004	23558E166K
4VC500M4-53 6VC500M4-53	1750	23601D110	12074A028	23549D003	23558E167K
4VC600M4-23 6VC600M4-23	1750	23601D110	12074A028	23549D005	23558E166K
4VC600M4-43 6VC600M4-43	1750	23601D110	12074A028	23549D004	23558E166K
4VC600M4-53 6VC600M4-53	1750	23601D110	12074A028	23549D003	23558E167K

* If pump was manufactured after August 1, 1997 order rotor w/shaft designated with 26576D___ (not 23601D___).

Example: Pump No. 4VC20M8-03 manufactured after August 1, 1997 would use rotor w/shaft 26576D100.



Myers®

F. E. Myers, 1101 Myers Parkway, Ashland, Ohio 44805-1969
419/289-1144, FAX: 419/289-6658, www.femyers.com

Myers (Canada), 269 Trillium Drive, Kitchener, Ontario N2G 4W5
519/748-5470, FAX: 519/748-5471

