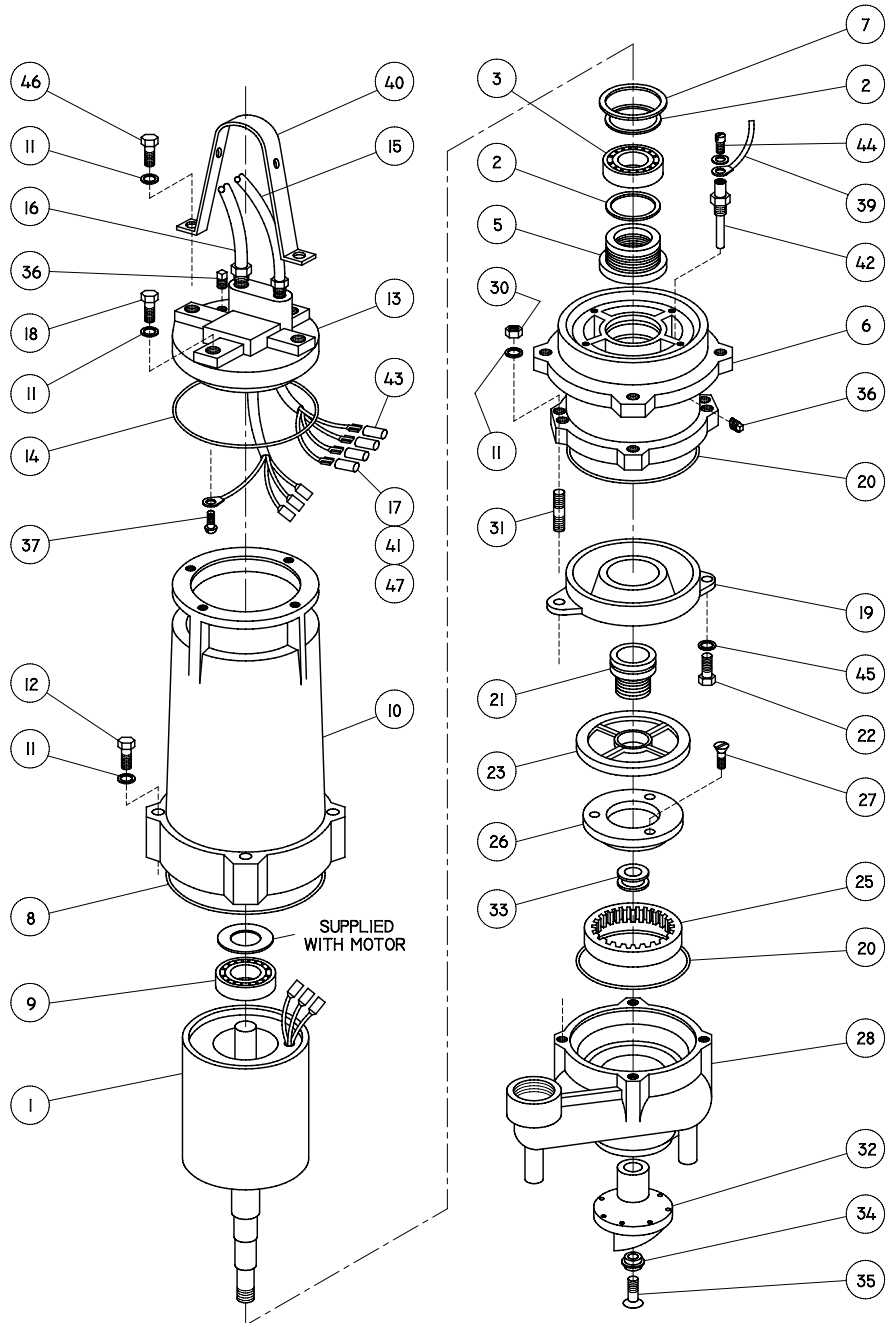


MODEL:	PART No.	MODEL:	PART No.
SGV3002L	084798	SGV7532L	084808
SGV3022L	084799	SGV7542L	084809
SGV3062L	084800	SGV7552L	088863
SGV3032L	084801		
SGV3042L	084802		
SGV3052L	088861		
SGV5002L	084803		
SGV5022L	084804		
SGV5062L	084805		
SGV5032L	084806		
SGV5042L	084807		
SGV5052L	088862		



PARTS KITS

- Seal Repair Kit .P/N-085223** (†) 5,8,11,12,14,15d,16d,20,21,22,30,34,35,45.
- Overhaul KitP/N-085224** (◇) 2,3,5,7,8,9,11,12,14,15d,16d,17,18,20,21,22,30,34,35,36,
37,43,45,46,47.
- Seal Tool Kit**
- Outer.....T/L-21362**
- Inner.....T/L-21358**
- Cutter KitP/N-085225** (‡) 11,25,27,30,32,33,34,35.
- Pressure Gauge Kit ..P/N-085343**

PARTS LIST

ITEM	QTY.	DESCRIPTION	PART No.
1	1	Motor - 3HP, 200V, 1Ph	085598
		3Hp, 230V, 1Ph	085598
		3Hp, 200V, 3Ph	070721
		3Hp, 230V & 460V, 3Ph	070722
		3Hp, 575V, 3Ph	085701
		5Hp, 200V, 1Ph	070723
		5Hp, 230V, 1Ph	070724
		5Hp, 200V, 3Ph	070725
		5Hp, 230V & 460V, 3Ph	070726
		5HP, 575V, 3Ph	085702
		7.5Hp, 230V & 460V, 3Ph	070727
		7.5Hp, 575V, 3Ph	085703
2	2	◇ Retaining Ring	019851
3	1	◇ Ball Bearing	061031
5	1	†◇ Shaft Seal (Inner) Standard	070713
		Carbon/Ceramic/Buna-N	070713SB
		Tungsten/Tungsten/Buna-N	070713SD
		Silicon/Silicon/Buna-N	070713SF
		Carbon/Ceramic/Viton®	070713SH
		Tungsten/Tungsten/Viton®	070713SK
		Silicon/Silicon/Viton®	070713SK
6	1	Intermediate Coupling with bushing	087118
7	1	◇ Retaining Ring	070708
8	1	†◇ Square Ring	070711
9	1	◇ Ball Bearing	017414
10	1	Motor Housing	070715
11	14	†◇‡ Lockwasher	027115
12	6	†◇ Hex Hd. Cap Screw	053525
13	1	Cover Plate	070716
		7/16 Stainless	070716A
		(All Except 5022L & 5002L)	070716B
		(SGV5022L)	070716B
		(SGV5002L)	067564
14	1	†◇ Square Ring	067564
15	1	Cord Set (Power) All Models EXCEPT SGV5002L & SGV5022L	
		Standard Length	
		25 FT.	090061XB
		30 FT.	090061XC
		40 FT.	090061XE
		50 FT.	090061XF
		75 FT.	090061XJ
		100 FT.	090061XL
		125 FT.	090061XP
		150 FT.	090061XS
		175 FT.	090061XV
		200 FT.	090061XY
		CSA Units	Non-CSA
			067585XB
			067585XC
			067585XE
			067585XF
			067585XJ
			067585XL
			067585XP
			067585XS
			067585XV
			067585XY

15	1	Cord Set (Power) For Model SGV5002L ONLY.		CSA Units	Non-CSA
		Standard Length	25 FT.	092876XB	093284XB
			30 FT.	092876XC	093284XC
			40 FT.	092876XE	093284XE
			50 FT.	092876XF	093284XF
			75 FT.	092876XJ	093284XJ
			100 FT.	092876XL	093284XL
			125 FT.	092876XP	093284XP
			150 FT.	092876XS	093284XS
			175 FT.	092876XV	093284XV
			200 FT.	092876XY	093284XY
15	1	Cord Set (Power) For Model SGV5022L ONLY.		CSA Units	Non-CSA
		Standard Length	25 FT.	091544XB	093285XB
			30 FT.	091544XC	093285XC
			40 FT.	091544XE	093285XE
			50 FT.	091544XF	093285XF
			75 FT.	091544XJ	093285XJ
			100 FT.	091544XL	093285XL
			125 FT.	091544XP	093285XP
			150 FT.	091544XS	093285XS
			175 FT.	091544XV	093285XV
			200 FT.	091544XY	093285XY
15a	1	* Cable		(Not Sold Separately)	
15b	1	* Gland Nut	(All Except 5022L & 5002L)	051447	
			(SGV5022L)	072559	
			(SGV5002L)	052259	
15c	2	* Friction Ring	(All Except 5022L & 5002L)	066071	
			(SGV5022L)	071431	
			(SGV5002L)	052288	
15d	1	† †* Grommet	(All Except 5022L & 5002L)	051452	
			(SGV5022L)	071430	
			(SGV5002L)	052287	
16	1	Cord Set (Control) All Models: TEMP. ONLY		CSA Units	Non-CSA
		Standard Length	25 FT.	090062XB	071769XB
			30 FT.	090062XC	071769XC
			40 FT.	090062XE	071769XE
			50 FT.	090062XF	071769XF
			75 FT.	090062XJ	071769XJ
			100 FT.	090062XL	071769XL
			125 FT.	090062XP	071769XP
			150 FT.	090062XS	071769XS
			175 FT.	090062XV	071769XV
			200 FT.	090062XY	071769XY
16	1	Cord Set (Control) All Models: MOIST. & TEMP.		CSA Units	Non-CSA
		Standard Length	25 FT.	090066XB	079031XB
			30 FT.	090066XC	079031XC
			40 FT.	090066XE	079031XE
			50 FT.	090066XF	079031XF
			75 FT.	090066XJ	079031XJ
			100 FT.	090066XL	079031XL
			125 FT.	090066XP	079031XP
			150 FT.	090066XS	079031XS
			175 FT.	090066XV	079031XV
			200 FT.	090066XY	079031XY
16a	1	* Cable		(Not Sold Separately)	
16b	1	* Gland Nut		051448	
16c	2	* Friction Ring	(Temp. Only Std.)	051449	
	2	Friction Ring	(Moist. & Temp.)	021531	
16d	1	† †* Grommet	(Temp. Only Std.)	051451	
	1	Grommet	(Moist. & Temp.)	066871	
17	3	◇ Wire Connector	1Ph & 3Ph, 460V	016405	
18	2	◇ Hex Hd. Cap Screw	7/16-14 x 1-1/2" lg Stainless	070705	
19	1	Seal Plate		070714	
20	1	† † Square Ring		019289	
21	1	† † Shaft Seal (Outer) Standard	Carbon/Ceramic/Buna-N	070712	

22	2	† ◇	Hex Hd. Cap Screw	Tungsten/Tungsten/Buna-N	070712SB
23	1		Impeller, Bronze	Silicon/Silicon/Buna-N	070712SD
				Carbon/Ceramic/Viton®	070712SF
				Tungsten/Tungsten/Viton®	070712SH
				Silicon/Silicon/Viton®	070712SK
				5/16-18 x 1-1/4" lg Stainless	1-131-1
				6.46 Dia. (STD. for 7.5HP)	084214
				6.38 Dia.	084214TA
				6.25 Dia. (STD. for 5HP)	084214TB
				6.12 Dia.	084214TC
				6.00 Dia.	084214TD
				5.88 Dia.	084214TE
				5.75 Dia.	084214TF
				5.62 Dia.	084214TG
				5.50 Dia.	084214TH
				5.38 Dia.	084214TJ
				5.25 Dia.	084214TK
				5.12 Dia.	084214TL
				5.00 Dia. (STD. for 3HP)	084214TM
				4.88 Dia.	084214TN
				4.75 Dia.	084214TP
				4.62 Dia.	084214TQ
				4.50 Dia.	084214TR
				4.38 Dia.	084214TS
				4.25 Dia.	084214TT
				4.12 Dia.	084214TU
				4.00 Dia.	084214TV
					070729
25	1	‡	Shredding Ring		070701
26	1		Throat		070704
27	3	‡	Flat Hd. Cap Screw	1/4-20 x 3/4 " lg Stainless	072084
28	1		Volute, Standard		085027
			(OPTIONAL) Volute with Discharge Piping		
30	4	† ‡	Hex Nut	7/16-14 Stainless	027116
31	4		Stud	7/16-14 x 3-1/4" lg Stainless	070706
32	1	‡	Radial Cutter		070728
33	2	‡	Shim (.010)		070707
34	1	† ‡	Washer	Stainless	070702
35	1	† ‡	Flat Hd. Cap Screw	3/8-16 x 1-3/4" lg Stainless	070703
36	4	◇	Pipe Plug (Qty 2 replaced by Optional Moist. Sensor)		003217
37	1	◇	Ground Screw	#8-32 x 3/8" lg Stainless	2-61-6
38	4-3/4 Quarts	♣	Oil - Motor Housing		029034
	1-1/2 Quarts		Oil - Seal Cavity		029034
39	2		Wire Assembly	(Optional Moisture Sensor)	070108
40	1		Lifting Bail		071791
41	3		Splice Connector	460 & 575 Volt	019212
42	2		Moisture Sensor	(Optional)	087115
43	4	◇	Terminal Connector	(Optional Moisture Sensor)	026880
	2		Terminal Connector	(Temp. Only Std.)	026880
44	2		Machine Screw	(Optional Moisture Sensor)	038156
45	2	† ◇	Lockwasher	5/16 Stainless	026322
46	2	◇	Hex Hd. Cap Screw	7/16-14 x 2" lg Stainless	071792
47	3	◇	Wire Connector	(All Except 3.5, 7.5Hp, 230/3)	016406
	4			7.5Hp, 230 Volt, 3Ph	056730
	3			5 & 3Hp, 230 Volt, 3Ph	055844
48	1		Sleeve Bearing		070717

SECTION 3B
PAGE 12
ISSUE 6/97

SERIES: SGV
3, 5 & 7.5HP, 3450RPM

BARNES®

Recommended Breaker & Heater Sizes:

Pump Model	HP	Phase	Volts	Breaker Size	Heater Size	Voltage Relay	Start Capacitor	Run Capacitor
One and One Quarter (1-1/4) inch Discharge SGV Grinder Pumps								
SGV2002L	2	1	200	30 AMP	K-60	MARS 68	143mfd - 220 volts	20 mfd - 370 volts
SGV2022L	2	1	230	30 AMP	K-57	MARS 68	143 mfd - 220 volts	20 mfd - 370 volts
SGV2062L	2	3	200	20 AMP	K-53	N/R	N/R	N/R
SGV2032L	2	3	230	20 AMP	K-50	N/R	N/R	N/R
SGV2042L	2	3	460	15 AMP	K-33	N/R	N/R	N/R
SGV2052L	2	3	575	15 AMP	K-31	N/R	N/R	N/R
Two (2) inch SGV Grinder Pumps								
SGV3002L	3	1	200	60 AMP	K-64	MARS 66	257 mfd - 220 volts	20 mfd - 370 volts
SGV3022L	3	1	230	50 AMP	K-63	MARS 64	257 mfd - 220 volts	20 mfd - 370 volts
SGV3062L	3	3	200	30 AMP	K-56	N/R	N/R	N/R
SGV3032L	3	3	230	30 AMP	K-54	N/R	N/R	N/R
SGV3042L	3	3	460	15 AMP	K-41	N/R	N/R	N/R
SGV3052L	3	3	575	15 AMP	K-37	N/R	N/R	N/R
SGV5002L	5	1	200	100 AMP	K-73	MARS 71	297 mfd - 220 volts	20 mfd - 370 volts
SGV5022L	5	1	230	80 AMP	K-70	MARS 64	297 mfd - 220 volts	20 mfd - 370 volts
SGV5062L	5	3	200	50 AMP	K-63	N/R	N/R	N/R
SGV5032L	5	3	230	40 AMP	K-62	N/R	N/R	N/R
SGV5042L	5	3	460	20 AMP	K-50	N/R	N/R	N/R
SGV5052L	5	3	575	15 AMP	K-49	N/R	N/R	N/R
SGV7532L	7.5	3	230	50 AMP	K-67	N/R	N/R	N/R
SGV7542L	7.5	3	460	30 AMP	K-54	N/R	N/R	N/R
SGV7552L	7.5	3	575	20 AMP	K-50	N/R	N/R	N/R

NOTE: 1. Factory recommended heater sizes may vary depending on pump station requirements.
N/R = Not Required.