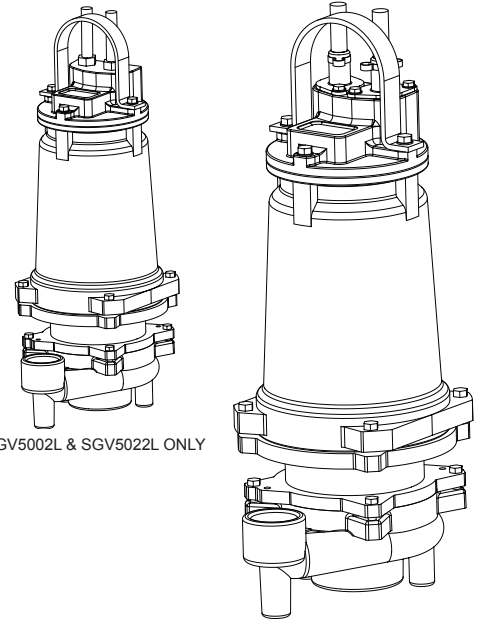


Submersible Grinder Pumps

Specifications:

DISCHARGE	2" NPT, Vertical
LIQUID TEMPERATURE	104°F (40°C) Continuous
VOLUTE	Cast Iron ASTM A-48, Class 30.
MOTOR HOUSING	Cast Iron ASTM A-48, Class 30.
SEAL PLATE	Cast Iron ASTM A-48, Class 30.
IMPELLER: Design	12 Vane, Vortex, With Pump Out Vanes On Back Side. Dynamically Balanced, ISO G6.3.
<i>Material</i>	Cast Iron
SHREDDING RING	Hardened 440C Stainless Steel Rockwell® C-55.
CUTTER	Hardened 440C Stainless Steel, Rockwell® C-55.
SHAFT	416 Stainless Steel
SQUARE RINGS	Buna-N
HARDWARE	300 Series Stainless Steel
PAINT	Air Dry Enamel.
SEAL: Design	Tandem Mechanical, Oil Filled Reservoir.
<i>Material</i>	Rotating Faces - Carbon Stationary Faces - Ceramic Elastomer - Buna-N Hardware -300 Series Stainless
CORD ENTRY:	
<i>SGV5002L & SGV5022L</i>	30 ft. (9m) Std. Cord. Pressure Grommet for Sealing and Strain Relief.
<i>All Other Models</i>	30 ft. (9m) Std. Cord. Custom Molded Quick Connect for For Sealing and Strain Relief
CORD	CSA/UL Approved 10/4, 6/4, 8/4 Type SOW.
UPPER BEARING:	
<i>Design</i>	Single Row, Ball, Oil Lubricated
<i>Load</i>	Radial
INTERMEDIATE BEARING:	
<i>Design</i>	Single Row, Ball, Oil Lubricated
<i>Load</i>	Radial & Thrust
LOWER BEARING:	
<i>Design</i>	Sleeve, Oil Lubrication:
<i>Load</i>	Radial
MOTOR: Design	NEMA L-Single Phase, NEMA B-Three Phase Torque Curve. Oil-Filled, Squirrel Cage Induction.
<i>Insulation</i>	Class F.
SINGLE PHASE	Capacitor Start/Capacitor Run. Requires Overload Protection to be Included In control panel, Requires Barnes® Starter or Control Panel which Includes Capacitors, or Capacitor pack.
THREE PHASE	Dual Voltage 240/480; Requires Overload Protection to be Included in control panel.
OPTIONAL EQUIPMENT	Seal Material, Impeller Trims, Cord Length. Moisture Sensors, Moveable Fitting
RECOMMENDED:	
<i>Accessories</i>	Break Away Fitting (BAF) Check Valve Control Panel
<i>Seal Kit PN</i>	085223
<i>Service Kit PN</i>	115771



SGV5002L & SGV5022L ONLY

Series: SGV
3, 5, 7.5 HP,
3450RPM, 60Hz



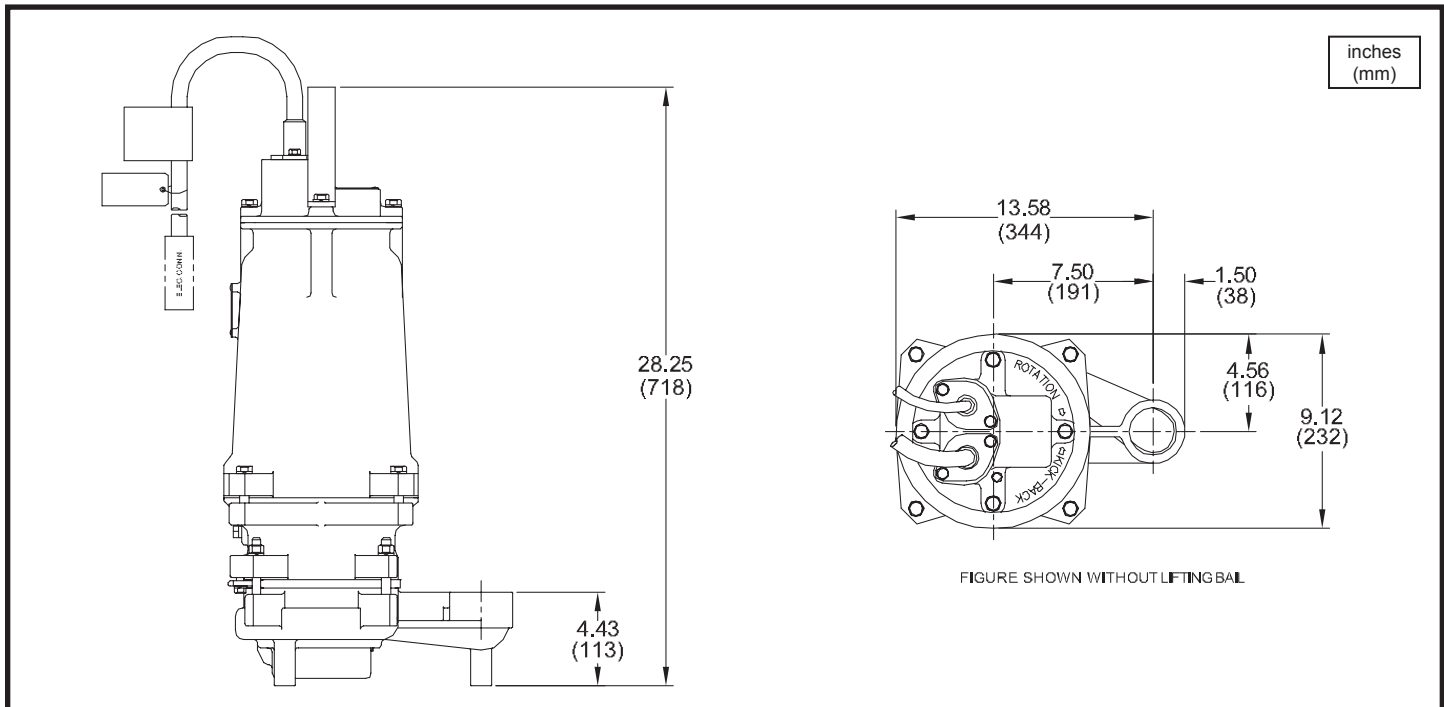
CSA 108 - File No. LR16567
UL 778

Sample Specifications: Section 3 Page 9.

DESCRIPTION:

THE GRINDER PUMP IS DESIGNED TO REDUCE DOMESTIC, COMMERCIAL, INSTITUTIONAL AND LIGHT INDUSTRIAL SEWAGE TO A FINELY GROUND SLURRY.

Submersible Grinder Pumps



MODEL NO	PART NO	HP	VOLT/PH	Hz	RPM (Nom)	NEMA START CODE	FULL LOAD AMPS	LOCKED ROTOR AMPS	CORD SIZE	CORD TYPE	CORD O.D. ± .02 (.5) in (mm)
SGV3072L	111608	3	200/240/1	60	3450	G	25.2/21.7	86/75	10/4	SOW	.75 (19)
SGV3062L	111612	3	200/3	60	3450	J	17.0	65.0	10/4	SOW	.75 (19)
SGV3032L	111609	3	240/3	60	3450	K	14.5	62.0	10/4	SOW	.75 (19)
SGV3042L	111610	3	480/3	60	3450	K	7.2	31.0	10/4	SOW	.75 (19)
SGV3052L	111611	3	600/3	60	3450	J	5.6	22.6	10/4	SOW	.75 (19)
SGV5002L	115657	5	200/1	60	3450	F	42.0	134.0	6/4	SOW	1.03 (26)
SGV5022L	115658	5	240/1	60	3450	H	39.0	136.0	8/4	SOW	.93 (24)
SGV5062L	111619	5	200/3	60	3450	K	25.0	122.0	10/4	SOW	.75 (19)
SGV5032L	111616	5	240/3	60	3450	L	21.9	120.0	10/4	SOW	.75 (19)
SGV5042L	111617	5	480/3	60	3450	L	11.0	60.0	10/4	SOW	.75 (19)
SGV5052L	111618	5	600/3	60	3450	L	8.8	46.0	10/4	SOW	.75 (19)
SGV7532L	111613	7.5	240/3	60	3450	J	22.3	136.0	10/4	SOW	.75 (19)
SGV7542L	111614	7.5	480/3	60	3450	J	11.2	68.0	10/4	SOW	.75 (19)
SGV7552L	111615	7.5	600/3	60	3450	G	8.2	45.0	10/4	SOW	.75 (19)

Temperature sensor cord for SGV5002L & SGV5022L is 14/2 SOW, 0.55 (14mm) ± .02 (.51mm) O.D.

Temperature sensor cord for all other models is 14/3 SOW, 0.55 (14mm) ± .02 (.51mm) O.D.

Optional - Moisture and Temperature sensor cord for all models is 18/5 SOW, 0.47 (12mm) ± .02 (.51mm) O.D., replaces Temperature sensor cord.

IMPORTANT !

- 1.) PUMP MAY BE OPERATED "DRY" FOR EXTENDED PERIODS WITHOUT DAMAGE TO MOTOR AND/OR SEALS.
- 2.) THIS PUMP IS APPROPRIATE FOR THOSE APPLICATIONS SPECIFIED AS CLASS I DIVISION II HAZARDOUS LOCATIONS.
- 3.) THIS PUMP IS NOT APPROPRIATE FOR THOSE APPLICATIONS SPECIFIED AS CLASS I DIVISION I HAZARDOUS LOCATIONS.
- 4.) INSTALLATIONS SUCH AS DECORATIVE FOUNTAINS OR WATER FEATURES PROVIDED FOR VISUAL ENJOYMENT MUST BE INSTALLED IN ACCORDANCE WITH THE NATIONAL ELECTRIC CODE ANSI/NFPA 70 AND/OR THE AUTHORITY HAVING JURISDICTION. THIS PUMP IS NOT INTENDED FOR USE IN SWIMMING POOLS, RECREATIONAL WATER PARKS, OR INSTALLATIONS IN WHICH HUMAN CONTACT WITH PUMPED MEDIA IS A COMMON OCCURRENCE.

SECTION 3B
PAGE 6
DATE 7/04

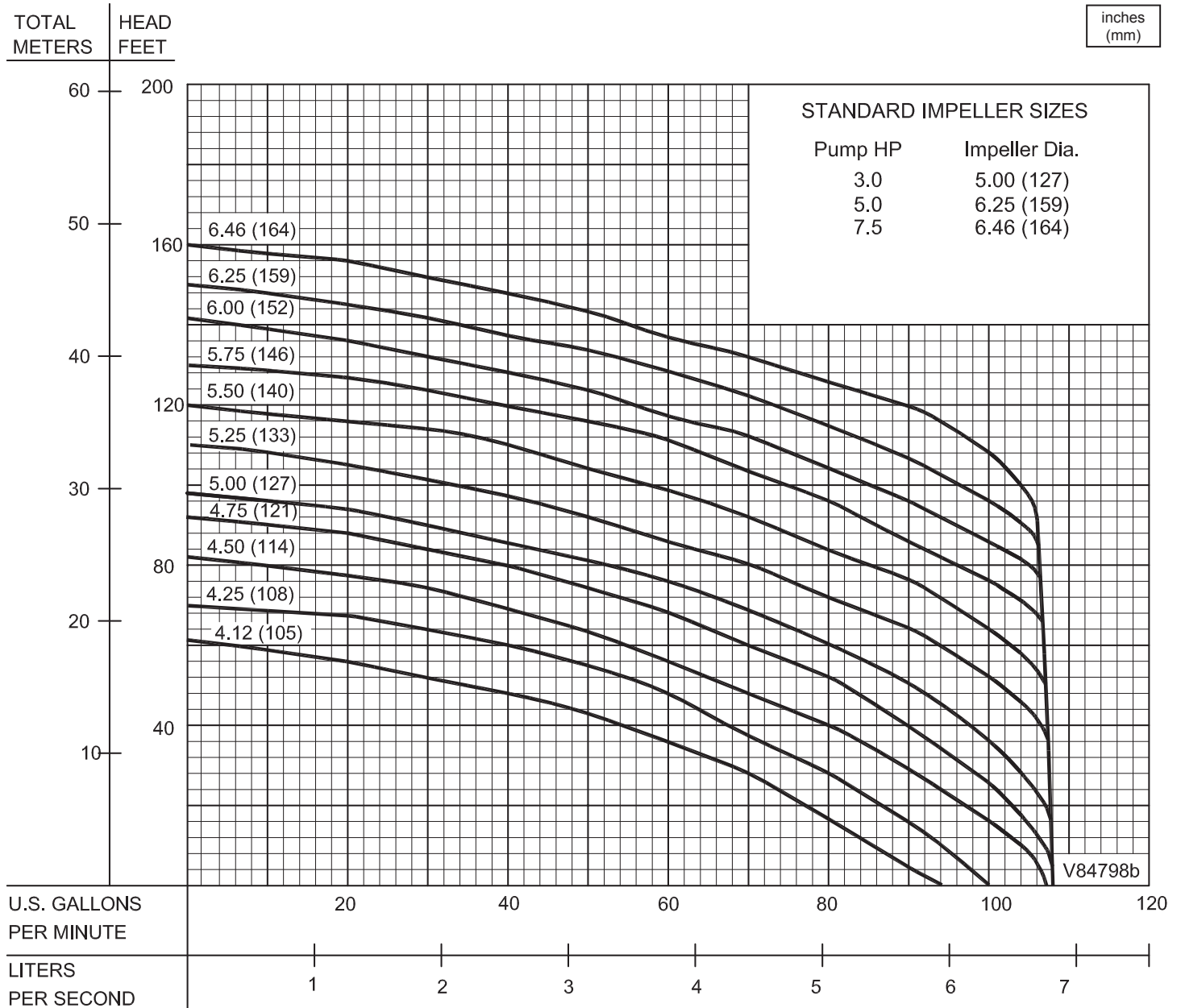
CRANE®

A Crane Co. Company

PUMPS & SYSTEMS

USA: (937) 778-8947 • Canada: (905) 457-6223 • International: (937) 615-3598

Submersible Grinder Pumps



Testing is performed with water, specific gravity 1.0 @ 68° F @ (20°C), other fluids may vary performance